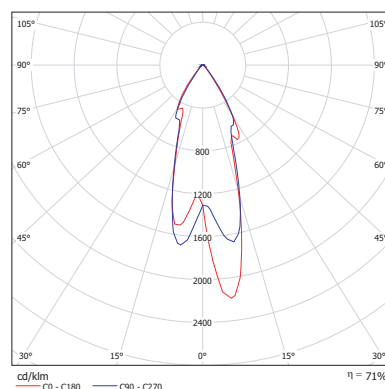
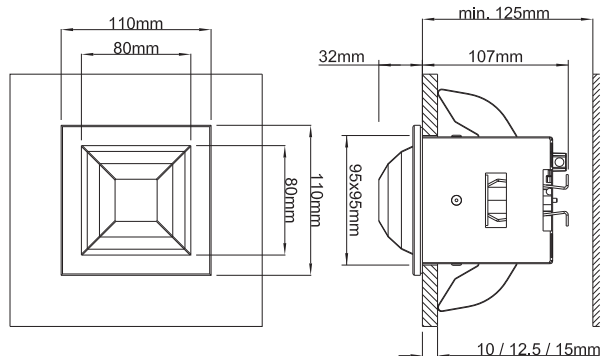


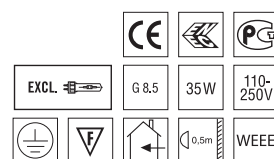
Crystal Expression MADISON CEILING HID HID recessed ceiling luminaire



The play of light Madison creates on the ceiling is elegant and straightforward, reflecting the symmetry of the facets. Madison is ideal for general lighting use in living rooms and suites. When combined with HID light sources, it is also perfect for prestigious hotel areas.



Lamp type:	halogen metal vapour lamp
Lamp denomination:	Osram Powerball HCI-TC 35/830 WDL, Osram Powerball HCI-TC 35/942 NDL
Reflector:	aluminium reflector (narrow beam)
Base:	pin base G8.5
Voltage:	110 - 250 V
Power:	35 W
Scope of delivery:	electronic transformer not included
Depth of insertion:	125 mm
Ceiling thickness:	10 - 15 mm
Ceiling opening :	95 x 95 mm
Product weight:	1,000 g
Environmental conditions for installation:	installation only in dry rooms (indoor). Not suitable for saunas, steam-baths, etc.



Product	Article number A.9950 NR ...	Version
MADISON CEILING HID	700 170	gold-plated
	700 171	chrome
	700 173	white NEW

