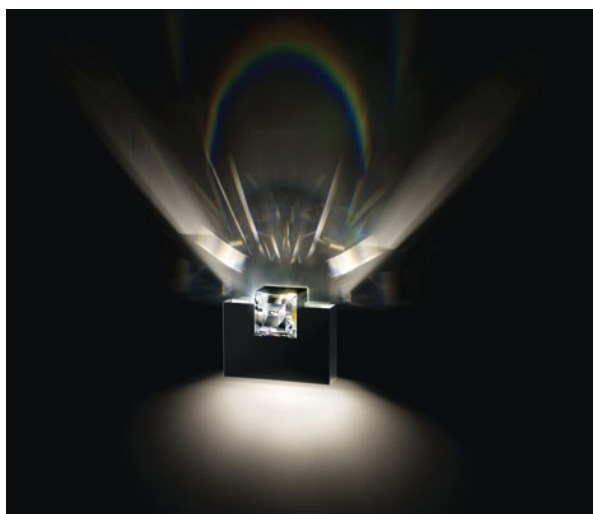
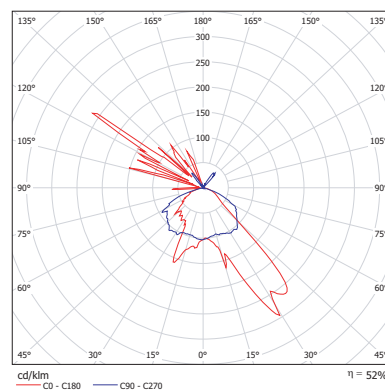
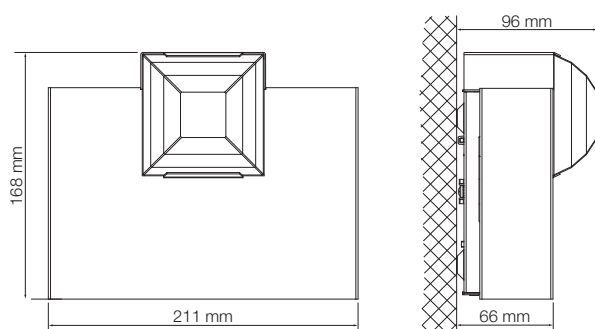


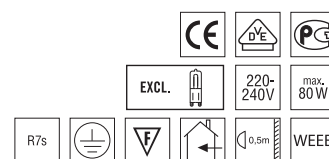
## Crystal Expression MADISON WALL surface-mounted wall luminaire



The Madison wall luminaire distinguishes itself through the crystal's characteristic, sleek pyramid cut. The lighting effects of Madison produce structures on walls and ceilings, while the light it emits downwards brightens walls and floors. The Madison wall luminaire is ideally suited for creating a special ambience in homes or hotels. It can be used in corridors as well as in modern living rooms, dining rooms and bedrooms.



Lamp type:	high-voltage halogen lamp
Reflector:	aluminium reflector
Base:	pin base R7s
Voltage:	220 - 240 V
Power:	max. 80 W
Scope of delivery:	excl. lamp
Product weight:	1,700 g
Environmental conditions for installation:	installation only in dry rooms (indoor). Not suitable for saunas, steam-baths, etc.



Product	Article number A.9950 NR ...	Version
MADISON WALL	700 180	white
	700 181	black