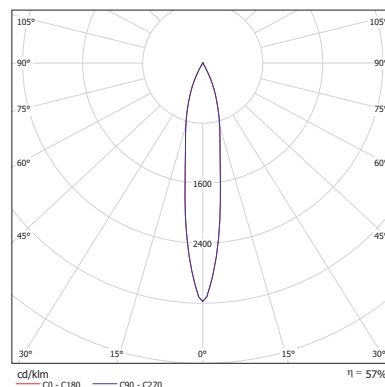
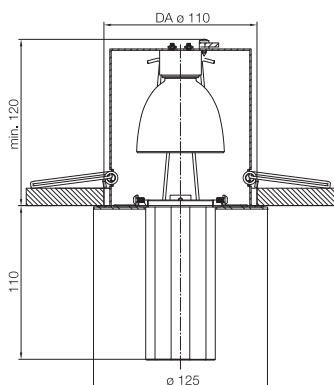


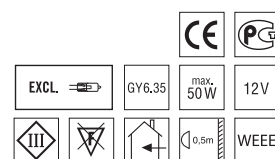
Crystal Supreme VIEW CRYSTAL recessed ceiling luminaire



Supreme luminaires are especially well suited for use in hotel suites, bars and lobbies, but are also recommended for large rooms in homes. Depending on the model, the luminaires will either light up an entire room or provide wallwasher accents.



Lamp type:	low-voltage halogen lamp
Lamp denomination:	Osram Halostar IRC 50 W
Reflector:	aluminium reflector (narrow beam)
Base:	pin base GY6.35
Voltage:	12 V
Power:	50 W
Scope of delivery:	electronic transformer not included
Depth of insertion:	120 mm
Ceiling thickness:	12.5 - 15 mm
Ceiling opening :	Ø 110 mm
Product weight:	1,500 g



Product	Article number	Version
VIEW CRYSTAL	A.9950 NR ... 700 000	stainless steel