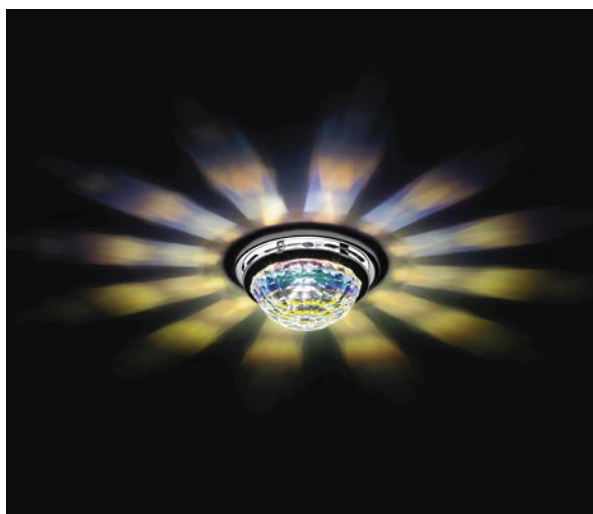
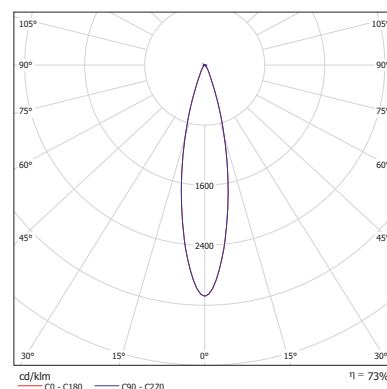
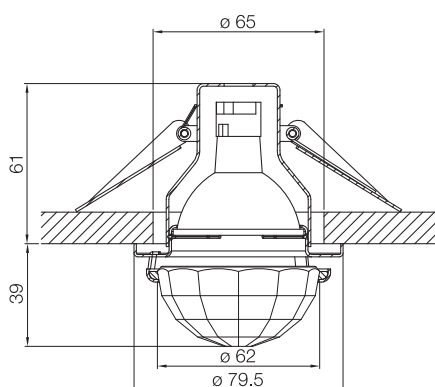


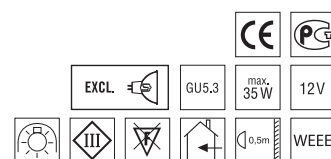
Crystal Vega VEGA CRYSTAL AB "Z" recessed ceiling luminaire



A Vega luminaire combines clear, symmetrical reflections with functionality. With its precision cutting and excellent light dispersal, this crystal hemisphere is perfect for providing general illumination in bars, restaurants, hallways and hotel suites, as well as living and dining areas in homes.



Lamp type:	low-voltage halogen lamp
Lamp denomination:	Osram Decostar 51 IRC
Base:	pin base GU5.3
Diameter:	mm
Voltage:	12 V
Power:	35 W
Depth of insertion:	100 mm
Ceiling thickness:	1 - 15 mm
Ceiling opening :	Ø 65 mm
Product weight:	300 g



Product	Article number A.8992 NR ...	Version
VEGA CRYSTAL AB "Z"	030 010	gold-plated
	020 010	chrome
	040 010	matt chrome

